

# SC03MPA

## Spinel 300K Pixels Serial JPEG Color Camera Module

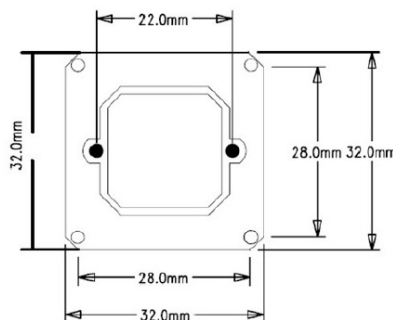


Spinel SC03MPA Camera is a highly integrated serial JPEG camera module which can be attached to any host system that requires a JPEG compressed still camera for embedded imaging applications. The module uses a 1/4" CMOS color image sensor along with a JPEG compression chip that provides a low cost and low powered camera system. The module has an on-board serial interface (TTL/RS232/RS485) that is suitable for a direct connection to any host microcontroller UART or a PC system COM port.

The SC03MPA camera is capable of outputting **JPEG format images** and PAL/NTSC video per request.

The SC03MPA camera module comes in a compact form factor with a built in lens and a 4 pin PH 2.0 socket connector that provides easy access to both power and serial data. PC test tool is provided for easy testing.

Below is the layout of the camera module (unit in mm).



For more information relating to JPEG cameras, please contact us, via email at [info@jpegcamera.com](mailto:info@jpegcamera.com)  
Or by phone at 800-837-5859; or visit our Website: [www.jpegcamera.com](http://www.jpegcamera.com)

## SC03MPA Features

300K Pixels resolution

## VC0706 protocol

Fully customizable

Specifications	
Image Device	1/4" CMOS MT9V011
Serial Output	TTL/RS232/RS485
Pixels	300K Pixels
Image Resolution	640 x480 (VGA), 320 x 240 (QVGA) (Default), 160x120
Image Compression	JPEG
Video Output	Default not available, can be customized as NTSC/PAL
Baud Rate	38400bps (Default), 9600/19200/57600/115200bps optional, and 1152000bps (Only available for TTL)
Focal Length	3.6 mm (default), 1.7mm/2.0mm/2.8mm/6.0mm/8.0mm/12mm/16mm available
Angel of View	90° (Default), 170°/150°/120°/60°/45°/30°/15° available
Minimum Illumination	1 LUX
IR Illuminator	Default with no IR illumination, custom options of 12pcs, 24pcs or 36pcs 850nm/940nm IR LED Plate
IR-Cut filter (IR filter)	Default at 850nm, custom options at 650nm or 940nm
IR-Cut filter Switcher	Only available when customized with Spinel supplied IR illuminator
Power Supply	5V DC (default)(works with 3.3V if no IR illumination), custom option 12V DC or wide voltage 9-36V DC
Current Consumption	Typical: 75mA, Max: 130mA (when LED's are on)
Night Image	Black and white
Night Vision Range	10 meters (33ft)
Protocol	Compatible with VC0706
Exposure	Auto
White Balance	Auto
Auto Gain Control	Auto
Cable Length	20CM (7.8in) 4 pin wires (Default), other length per request
Pin Configuration	Pin 1: RX, Pin 2: TX, Pin 3: GND, Pin 4: VCC
Connector	Default 4 bare wires, other connectors can be customized per request
Waterproof	Subject to the housing/enclosure

## Environmental

Operating Temp.	-4°F~140°F (-20°C~+60°C)
Storage Temp.	-22°F~158°F (-30°C~+70°C)
Dimension in Millimeters	32mm (L) x 32mm (W) x 28mm (H)
Dimension in inches	1.26 Inch (L) x 1.26 inch (W) x 1.1 inch (H)
Weight	Approx. 9 Grams or 0.3 oz

For more information relating to JPEG cameras, please contact us, via email at [info@jpegcamera.com](mailto:info@jpegcamera.com)  
Or by phone at 800-837-5859; or visit our Website: [www.jpegcamera.com](http://www.jpegcamera.com)